

Deck must be flat 32 " forward from spoiler running parallel to ground, 1" Tolerance given.

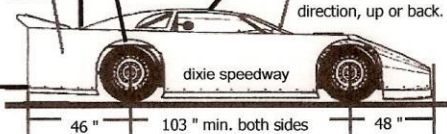
2 " min. clearance around all wheels. " 0 Tolerance "

Roof must be curved. No wedge or flat roofs will be allowed.

No dishing will be allowed on quarter panels, Must be flat.

Window supports may be no more than 7 " in length in each direction, up or back.

Skirt at rear must be cut flush with rear quarter-panel.



Door material including skirt 32 " max, top to bottom both sides.

Roof posts 2 " wide max.

Plastic glare shields 4 " wide max.

Roof supports must connect to the deck as shown. No lips turned out will be allowed.



Spoiler may have a Max. size of 8 " tall by 72 " wide. 12" tall by 72 " wide for Sportman Crate Cars Only.

If aluminum angle is used to brace top of spoiler it must be turned down, not adding to the height of spoiler in any way.

Top of doors. 37 " max.

76 " max.

72 " max.

Top of roof.

45 " max.

A third spoiler brace may be used and will match outer spoiler side dimensions.

76 " max.

No wings or tunnels of any kind allowed underneath the body or chassis.

76 "max. width at rear.

72 "max. width at spoiler.

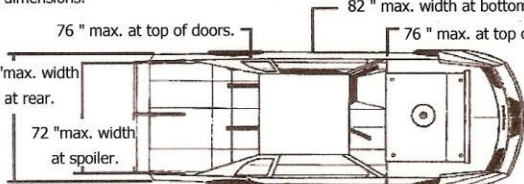
76 " max. at top of doors.

82 " max. width at bottom of door.

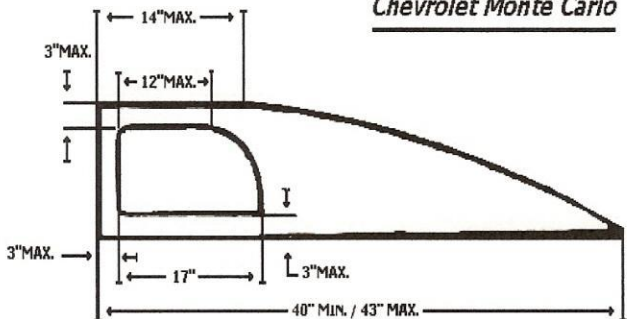
76 " max. at top of doors.

76 " max. at top of doors.

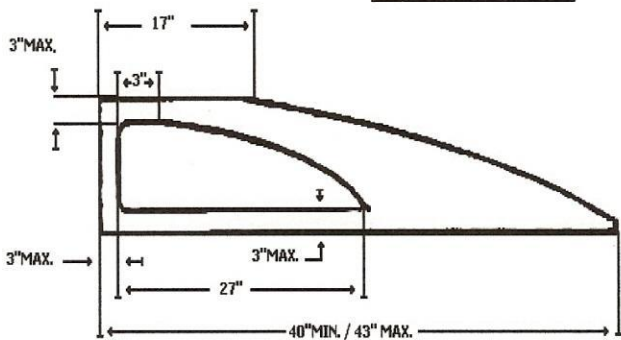
82 " max. width at bottom of doors.



Chevrolet Monte Carlo



Pontiac Grand Prix



Ford Taurus

